

COMPUTER SECURITY PRODUCT OVERVIEW



The Solution

The Inflexis Identity Management System



Inflexis Server Software

- Protects your Network / Data
- Coordinates with Active Directory
- Biometric User Enrollments
- Central Mngt for Device Positioning
- Installation & Configuration Tools
- Key Management
- Auditing & Activity Log Support
- Flexible to Suit your Needs
- Works with Current Systems



Inflexis DesktopID™

Inflexis DesktopID™

- Biometric Secure Log On
- USB Plug and Play
- Secure Embedded Processor
- Encrypted Transfers of All Data
- High-Speed USB 2.0 Cable



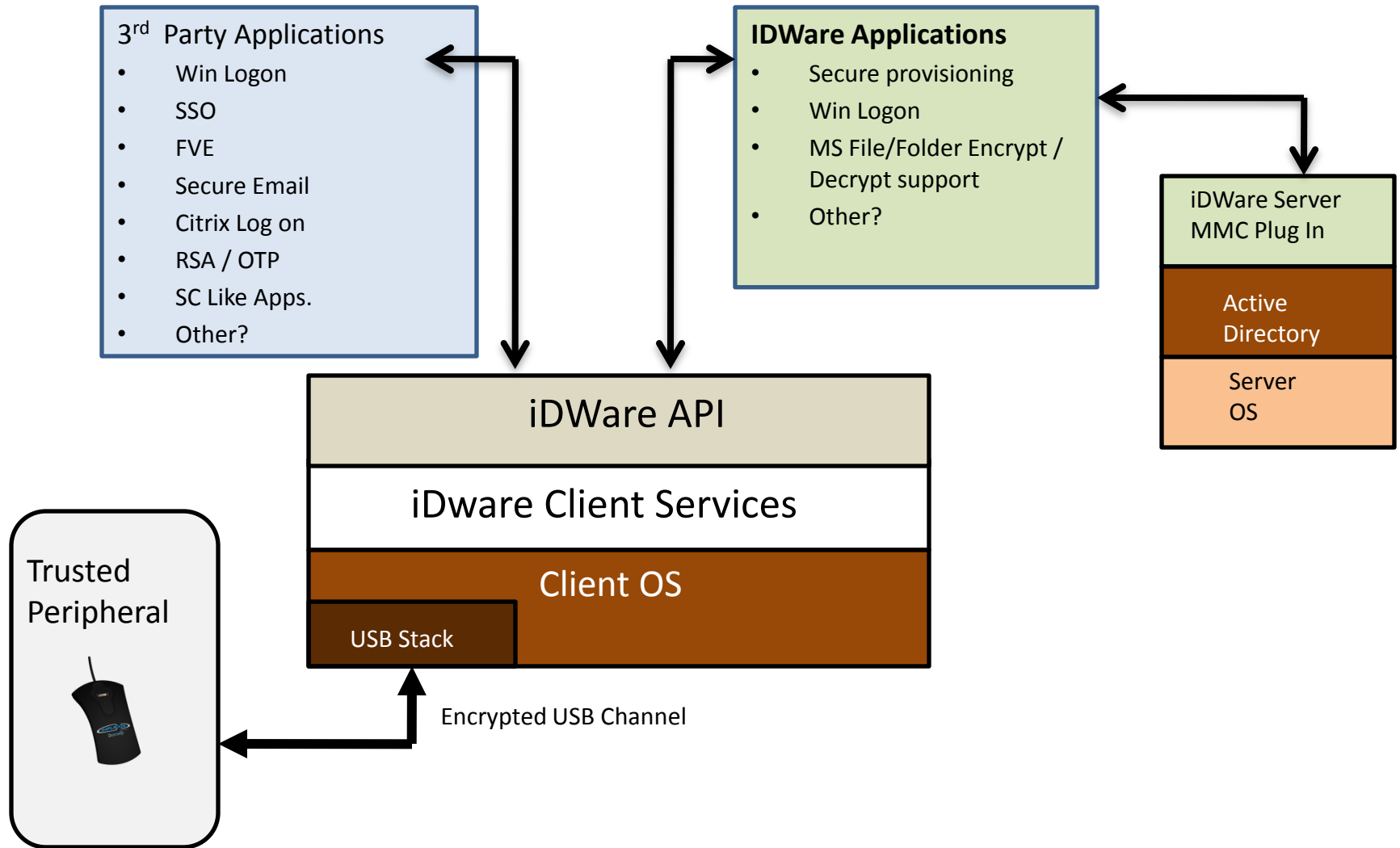
Inflexis MobileID™

Inflexis MobileID™

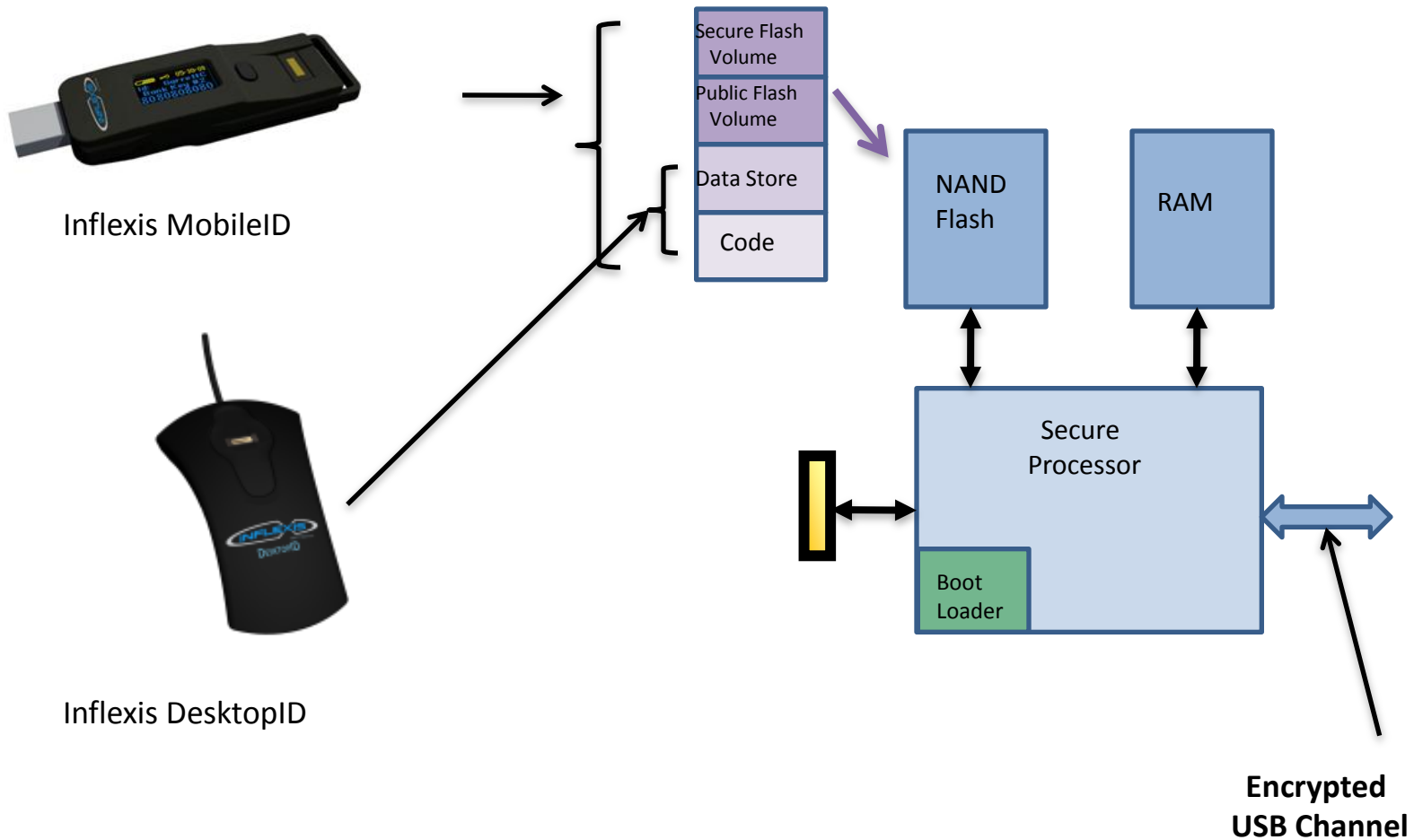
Multi-Functional

- Key to Your Computer
- 2G & 8G Encrypted Data Storage
- Biometric Secure Log On
- Multiple Data Storage Partitions
- Built-In Microprocessor
- Runs on Any Windows PC Without SW Installation
- Display Screen
- Rechargeable Lithium Battery
- Functions Not Connected to PC
- Can Operate as an OTP Token Even When Disconnected from the USB Port

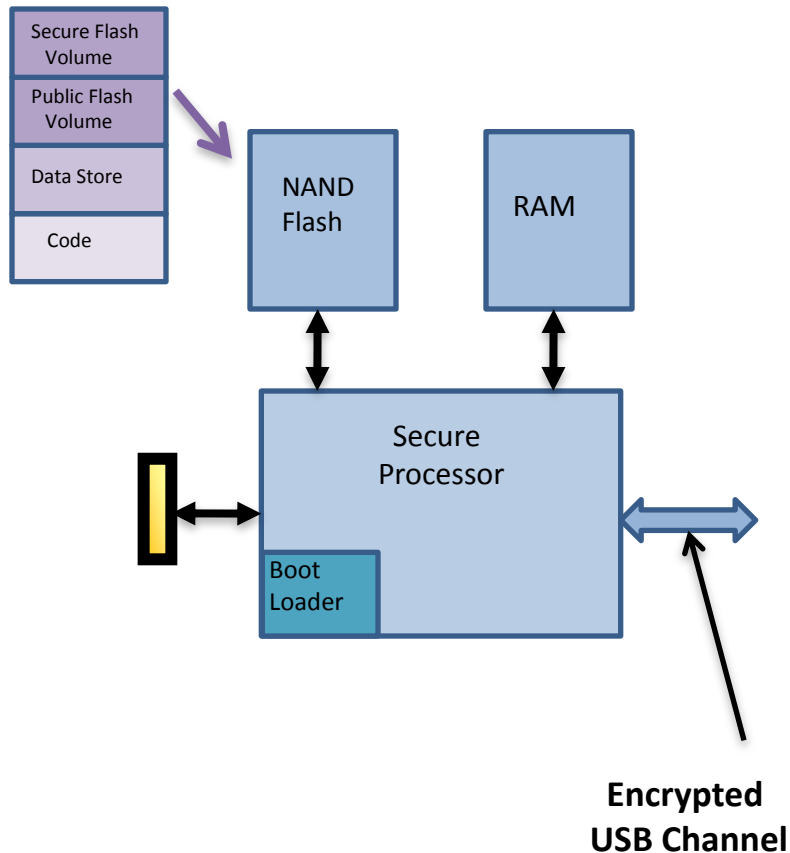
INFLEXIS SOFTWARE SYSTEM ARCHITECTURE



INFLEXIS TRUSTED PERIPHERAL HARDWARE PRODUCTS



TRUSTED PERIPHERAL ARCHITECTURE



TRUST FEATURES

- Hardware is not “Hackable”
 - No Downloadable Debugging Tools
 - PCB Design Prevents Access to Connections
- Encryption Keys and Key Pairs that Guarantee:
 - Trusted Peripheral Code has Not been Hacked
 - Trusted Peripheral Only Works with Trusted idWARE SW components.
 - Only the Domain Administrator can Write Templates and Logon Credentials to the Data Store
 - Encrypts the Data Store
 - Encrypts all the Secure Flash Volumes
 - Session Key Encrypts the USB channel

VALUE PROPOSITION FOR THE “ENTERPRISE” CUSTOMER

- Users
 - Easy to Use – Just Swipe Your Finger
 - Especially for Repeated Identity Requests
 - Protect Users – Give Credits, Prevents Blame
 - Just Plain – CONVENIENT
- IT Managers
 - Out of the Box Compatible with Active Directory
 - Centralized Management
 - Secure Over the Network Provisioning
 - Reduced Password Management Costs
- CSO's, CIO's & CEO's
 - Ease of use Leads to Acceptance
 - Ease of Use Allows Greatly Enhanced Identity Management
 - Information, Applications, Transactions
 - Enhanced Identity Management = Enhanced Security / Compliance
 - Deter Fraud – People Understand that Fingerprints Represent Them
 - Make Audit Data Irrefutable
 - Ease of Use = No Impact on Workflow (aka productivity)

BENEFITS FOR THE ENTERPRISE

Biometric Identification

Secure Windows Logon. Eliminates management cost and production downtime associated with forgotten passwords.

Enhanced Security

Achieved through strong authentication and data encryption coupled with the need for an actual user to be present for logon

Snoop Proof

Provides an on-board authentication processor and fingerprint sensor to manage the identification process and fully encrypt all communication to and from the device

Adaptable

Interfaces with Windows Active Directory and can add biometric security management to your existing network authentication system

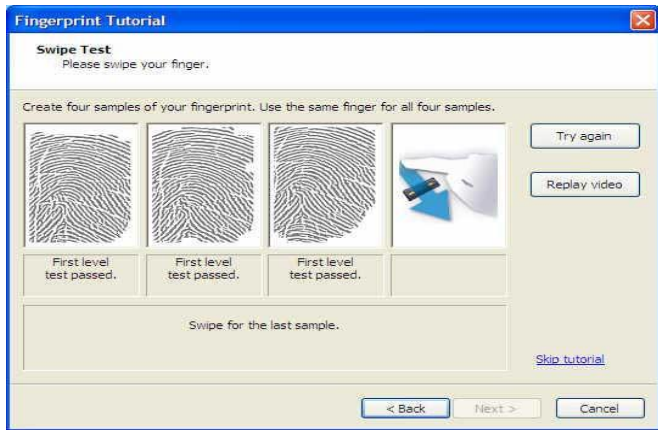
Encryption of Local Files, Folders, Volumes

Using Windows Services on a Client PC

Using Inflexis Secure processor for Encryption on the MobileID.



MANAGEMENT BENEFITS FOR THE ENTERPRISE



Audit Trail

All specified transactions are logged so that access to confidential data can be tracked for compliance

Easy to Install and Maintain

Out of the box functionality; centrally enroll and deploy

Administrative Software

Server-hosted, advanced security software provides management control and simplifies deployment and administration

Advanced Compliance

System components meet requirements for NCIC Access



Cost Effective

An affordable solution with additional cost savings from reduced password management

